

Image Size (in theory)

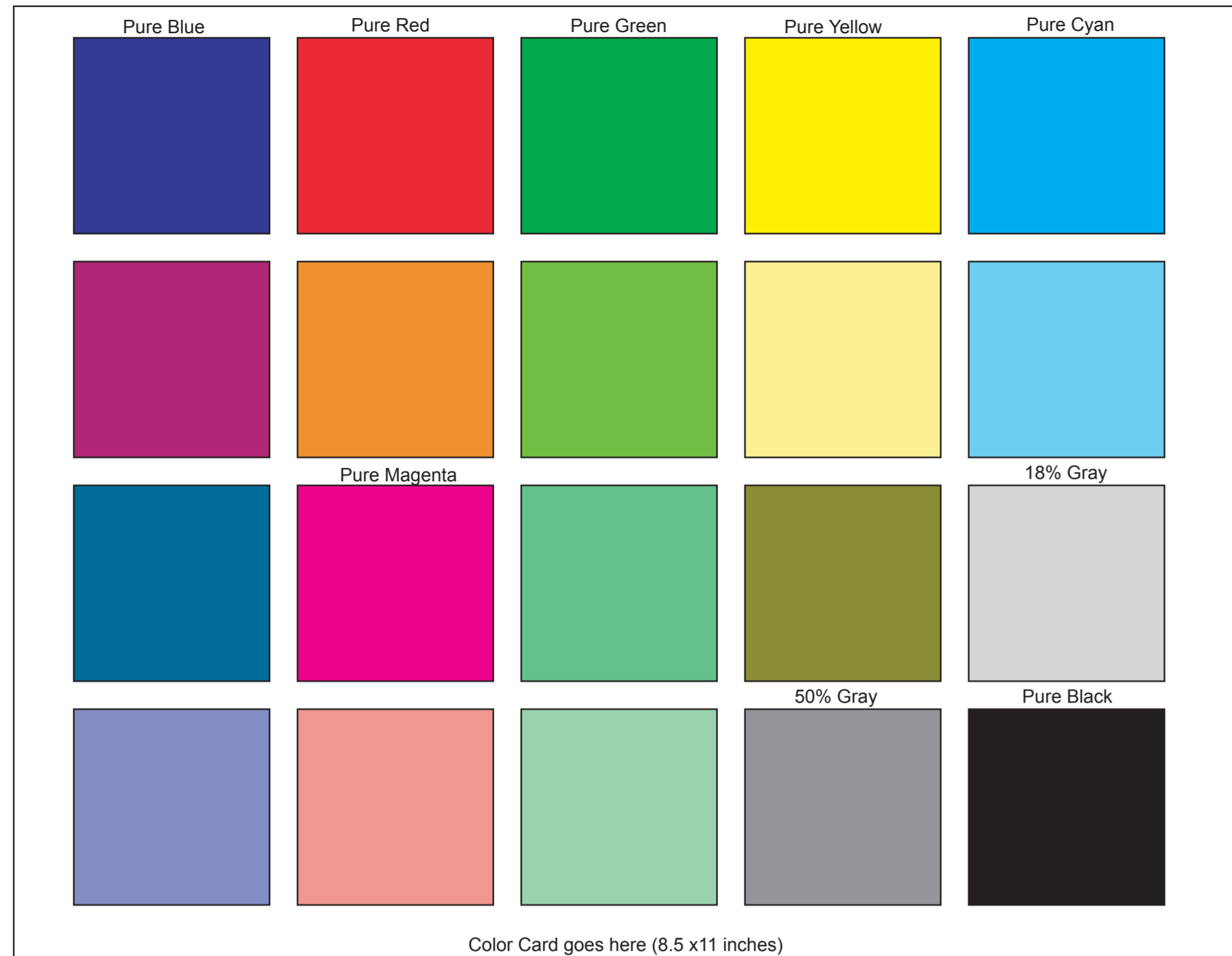


Image Size (in theory)

### VALUES IN 100X LINES PER PICTURE HEIGHT

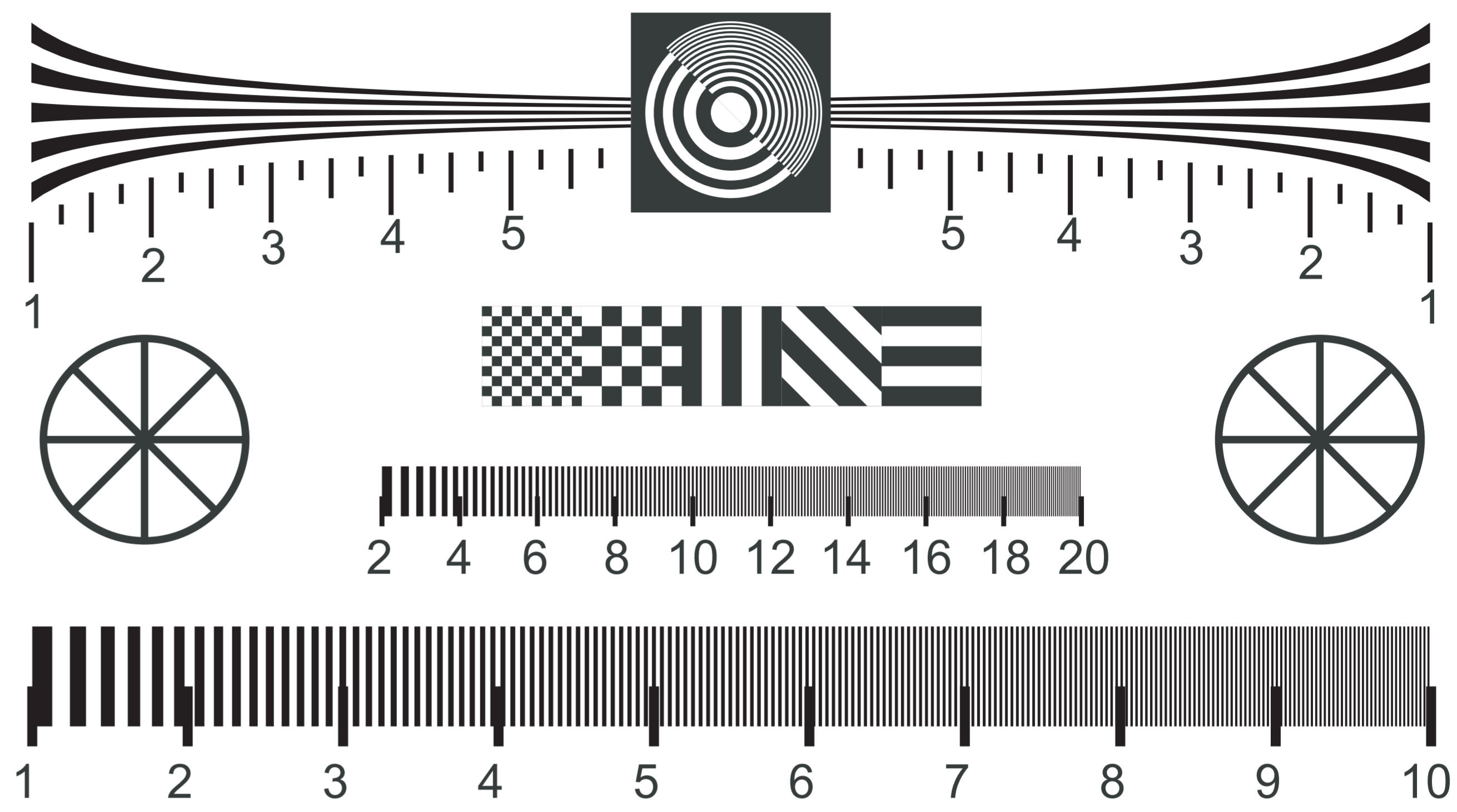


Image Size (in theory)

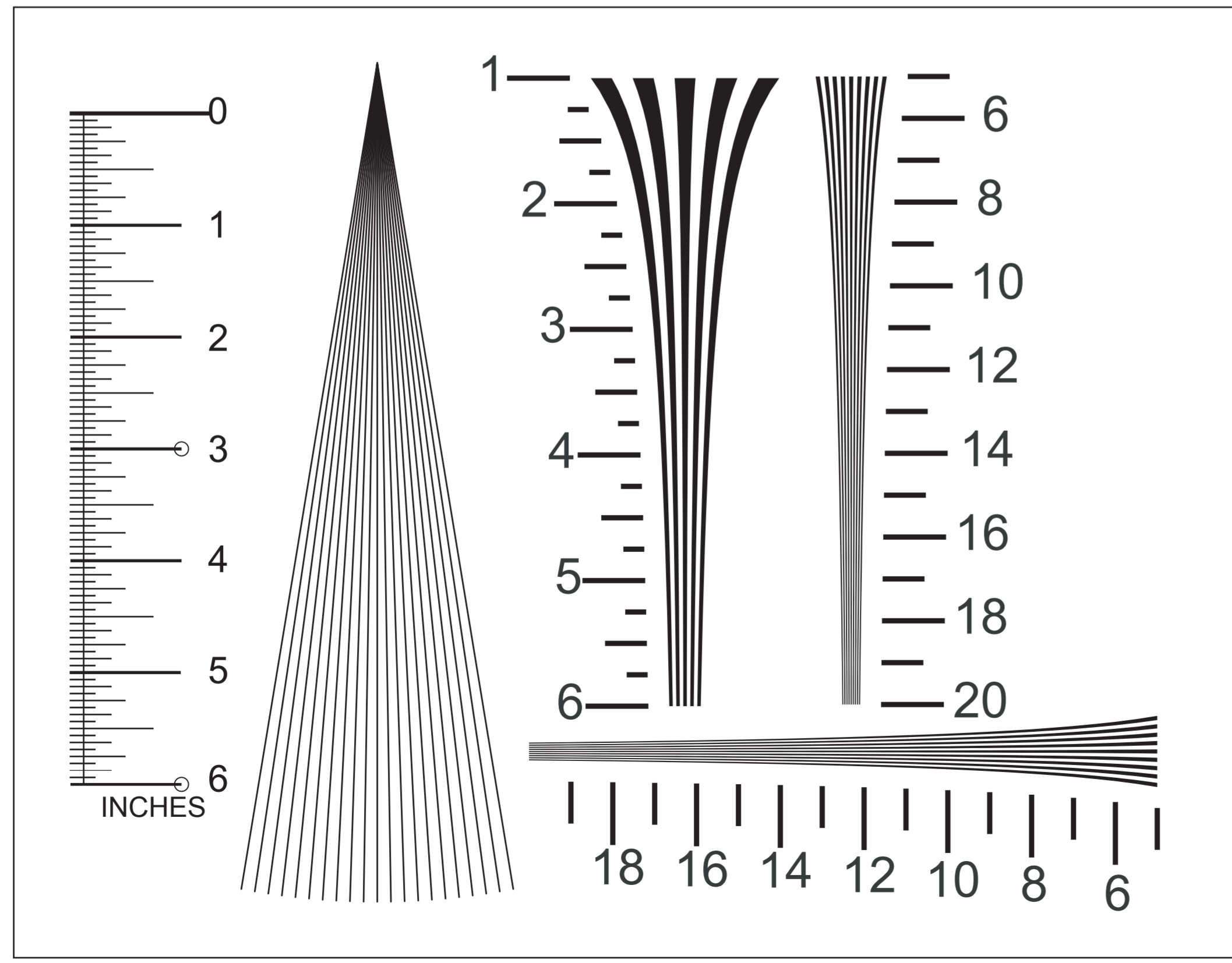


Image Size (in theory)

Nominal Target Size Calculation								
Lens Focal Dist (mm)	Width Tangent Ratio	Target Distance (ft)	Target Width (ft)	Target Width (in)	Height Tangent Ratio	Target Height (ft)	Target Height (in)	
50	2.1368	5	2.3400	28.0800	3.2051	1.56	18.72	
			pixel width:	0.0094				pixel height: 0.00936

Lens Focal Length (mm)	Target Distance (ft)
16	1.6
18	1.8
20	2
28	2.8
30	3
50	5
85	8.5
100	10
135	13.5
200	20
250	25
300	30
360	36
400	40
500	50
600	60
800	80
1000	100
43	4.3

Conversion Factors	
mm/in	in/ft
25.4	12

APS Sensor Size (mm/pixels)	
23.40	15.60
3000	2000

